

EVOCHARGE®

EVOCHARGE® 40A EVSE CHARGING STATION

iEVSE®, iEVSE® Home
User Manual & Installation Guide




PHILLIPS & TEMRO
industries®


EvoCharge Installation


Before Installation

Safety Check

- Check for transport damages.
- Before connecting the product to the power supply, check that the power supply voltage and current rating corresponds with the power supply details shown on the product rating label.
- The charge point must be installed only by a licensed electrician in accordance with the provisions of the local electrical industry construction and should comply with national electrical codes and standards.
- Before installing the charge point, make sure you have read all of these instructions in this manual and fully understand its contents. Appropriate protection is required when connecting to a main switchboard. The tools and parts used as outlined in the section “Tools & parts required for installation”.

 Disconnect the power supply before installing or repairing the charge point. Failure to do so may result in physical injury or damage to the power supply system and the charge point.

 Avoid touching or pressing the OLED screen all times, as this may result in damage to the OLED screen.

 **RISK OF SUFFOCATION:** Keep any packing materials away from children – these materials are a potential source of danger, e.g. suffocation.

Grounding instructions

The charge point must be installed with an equipment grounding conductor. Use a dedicated grounding wire with a ring terminal to connect to the grounding terminal block.

Tools & parts required for installation

Tool	Qty	Size	Supplier	Remark
Mounting Bracket	1	194x09x9 mm	Model Accessories	Fasten charge point to the wall
Holster ASSY	1	58x58x70 mm	Model Accessories	Hold EV charging plug
Screw	4	Tapping: #12	Model Accessories	Fasten mounting bracket and hook
		Mechanical: M6	Commercially Available	
Wire, Copper	3	8 AWG	Commercially Available	UL1015 (recommended)
Heat Shrink Tube	3	For 8 AWG wire	Commercially Available	Protect wires and terminals
Terminal	3	For 8 AWG wire	Commercially Available	Connect input wires to the terminal block
Conduit	1	1 inch	Commercially Available	Protect power cable
Torx Screwdriver	1	T20	Commercially Available	
Philips Screwdriver	1	PH3	Commercially Available	
Hexagon Socket	1	5/16	Commercially Available	Tighten #12 tapping screws
Torque Wrench	1	35 kgf-cm min	Commercially Available	

Install the charge point



Disconnect power at the circuit breaker before installation.



Before mounting, determine the suitable mounting location. The unit must be fixed to a wooden or masonry/concrete wall using hardware that is appropriate for the surface. Do not install on drywall, wall boards or thin plywood. The fixing point must be capable of supporting the weight of the unit.

Secure the mounting bracket to the wall with appropriate screws.

Follow applicable accessibility requirements for the mounting position. The unit shall be stored or located at a sufficient height. Follow local electric code and applicable standards.

For indoor use: The unit should be mounted between 18 inches (450 mm) and 4 feet (1.2m) from the floor. Follow local electric code and applicable standards.

For outdoor use: The unit should be mounted between 24 inches (600 mm) and 4 feet (1.2m) from the floor. Follow local electric code and applicable standards. The mounting bracket has ten screw holes. If only two screws are to be used to fasten the mounting bracket, use the middle two screw holes of the mounting bracket. The other screw holes are reserved for the user.

Screw suggestion:

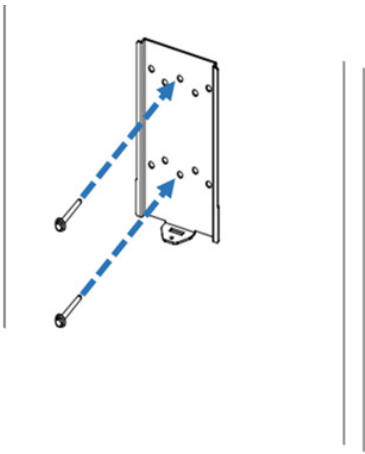
- For masonry walls, use M6 mechanical screws. (Commercially available)
- For finished walls supported by wood studs, locate the stud and use 1/4" or M6 tapping screws. (Commercially available)
- Please use following torque force:

Screw	Torque	
M6	25 kgf.cm min	21.7 lb-in min
#12	25 kgf.cm min	21.7 In-in min

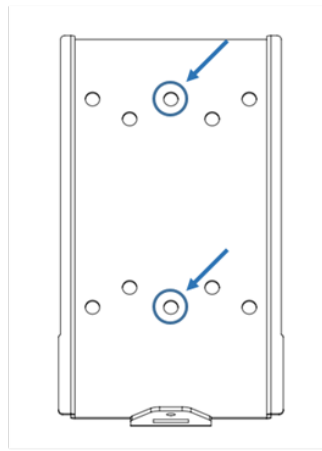
Mount the charge point onto mounting bracket and lock the screw.

- Put the charge point on the mounting bracket.
- Fix charge point on mounting bracket with M4 screw and screw washer.
- Please refer to the following torque:

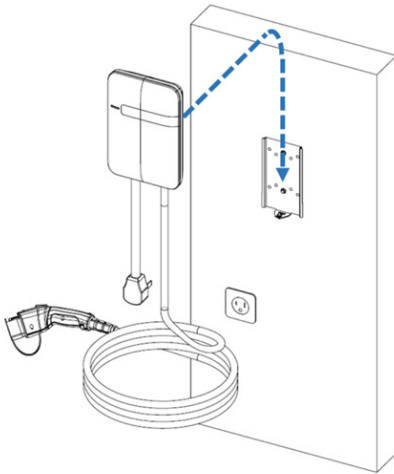
Screw	Torque	
M4	16 kgf.cm	13.88 lb-in



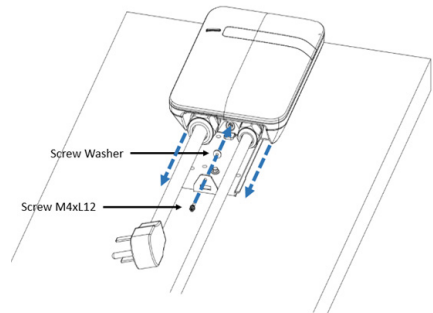
Installing the mounting bracket



Screw holes of mounting bracket



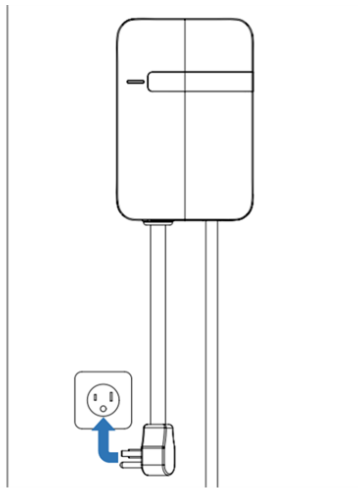
Charge point and mounting bracket



Screw locking position

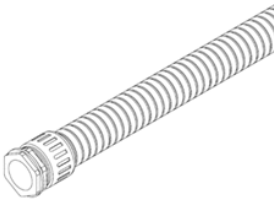
Plug in the power cord (BC3/SC3 ONLY)

The outlet should be located at 20-26 inches from the ground. Refer to the installation template to decide where to install the charge point.

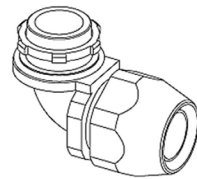


Plug in the power cord

Choose the appropriate conduit in accordance with all applicable state, local and national electrical codes and standards.



Conduit

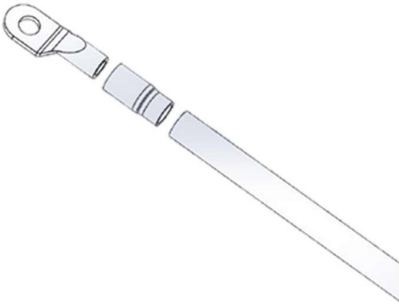


Right angle conduit

Clamp the copper sleeve terminal to connect the copper wire.

- Refer to the following wire specification. Use a hand tool to cut the outer layer of the wire and leave around 12mm of length for connecting the copper sleeve terminal.

Terminal	Conductor	Rating
L1, L2	6 AWG	90C copper wire
G	10 AWG	90C copper wire



Note:

- Please make sure there is no copper wire out of ferrule.
- The dimensions of ferrule terminal after cramping is 4.8mm square MAX.

Connect copper sleeve terminal to wire

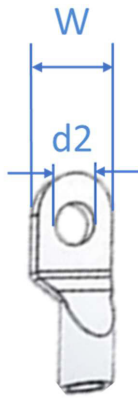
Electrical wiring to the charge point

- Disassemble top cover.
- Use Philips screwdriver to release terminal screws.
- Fold the wire end to pass through the conduit and insert into the input hole.
- Fix the copper wire on the corresponding terminal block. The wiring instruction is printed in front of the terminal block (L1/L2/G).
- Use the following torque to connect the wire terminal to the terminal block:

Torque	
1.2 N-m	10.5 In-in

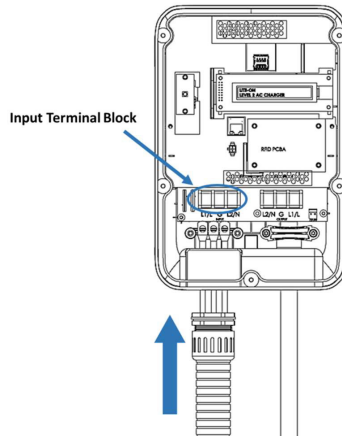
- The recommended terminal specifications are as follows:

Terminal	#6AWG Dimensions (mm)	#10 AWG Dimensions (mm)
F	12	12
L	24	20
W	8.8	6.3
B	10	8.5
D	6.2	3.9
C	5.8	3.5



Dimensions of terminal

Terminal	Dimension (mm)
W	≤ 9.5
d2	4-6.4



Input wiring

⚠ CAUTION: To reduce the risk of fire, connect only to a circuit provided with 40 amperes maximum branch circuit overcurrent protection in accordance with the National Electrical Code, ANSI/NFPA 70, and the Canadian Electrical Code, Part I, C22.1.

⚠ CAUTION: If this unit is installed outdoors, the outlet must be rated for outdoor installation. The outlet must be installed properly to maintain the proper NEMA rating of the enclosure.

Model	Current rating
Intelligent Charger-40A	40A

Lock the conduit on the enclosure. Please refer to the following torque:

Conduit	Torque	
1 "	35 kgf.com	30.36 lb-in

Reassemble the top cover. Please refer to the following torque:

Screw	Torque	
M4	16 kgf.com	13.88 lb-in



For additional products, field support and cable management solutions visit evocharge.com or contact us at 888-653-0160.

EVOCHARGE®

888-653-0160

evochargesupport@phillipsandtemro.com



evocharge.com