





WHAT'S INCLUDED	
QTY	PART DESCRIPTION
(1)	4x4x48" or 6x6x48" Pedestal, Powder-Coated Aluminum
(1)	Top Cap (4x4" or 6x6")
(1)	Silicone Sealer (1 oz)
(2)	Liquid-tight Flexible Conduit (18")
(2)	Liquid-tight Nylon Connector (3/4" Straight)
(2)	Liquid-tight Nylon Connector (3/4" 90 Degree)
(4)	Drop-in Anchor (1/2"-13)
(4)	Stainless Steel Anchor Bolt (1/2"-13 x 2.25")
(2)	Rigid Reducing Washer (1" x 3/4")
(4)	Flat Washer (1/2")
(4)	Base Plate / Upper Retractor Plugs
(3)	Conduit Hole Plugs
(2)	Large EVSE Bracket Hole Plugs (8mm)
(2)	Small EVSE Bracket Hole Plugs (4mm)
(4)	Stainless Steel EVSE Bracket Screws (1/4"-20 x 1/2")
(4)	Stainless Steel EVSE Bracket Screws (#10-30 x 1")
(10)	Stainless Steel Self-Drilling Screws (#10 x 1")

## SAFETY WARNINGS & GUIDELINES - PLEASE READ BEFORE INSTALLING

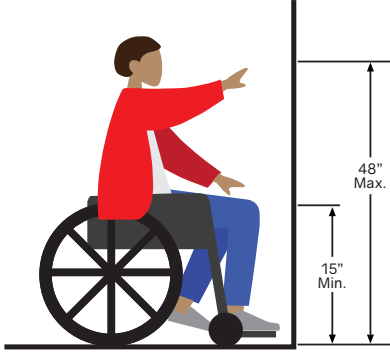
 This instruction outlines the recommended general procedure for installation by a qualified person, as defined by all local electrical codes and/or the NEC®.

 Be aware that many areas require special permits and/or utility approvals to install EV charging equipment. Contact your local electrical inspector's office and your local utility prior to beginning work to understand local requirements.

## PRE-INSTALLATION: CONCRETE PAD, POWER FEED, & ANCHOR REQUIREMENTS

- 1** Provide an approved concrete or composite base with the top flush to ground level, with 12" to 18" conduit stub-up, centered in the base.
- 2** The conduit should be sized to provide wires (L1, L2, GND) as per instructions for the charging station being mounted.
- 3** Feed wire size should be determined by a qualified electrician using industry standard calculations.
- 4** The concrete base should be a minimum of 18" x 18" x 18" and can be poured or pre-cast / pre-made.
- 5** Ensure ADA reach point requirements are maintained.  
**NOTE:** See Figure 1.1 & the link below for more details  
[https://www.ada.gov/archive/NPRM2008/ada\\_standards/proposedadastds.htm](https://www.ada.gov/archive/NPRM2008/ada_standards/proposedadastds.htm)

**NOTE:** It is recommended to install protective concrete filled steel bollard posts and/or curb stops to protect the charger from an automobile strike.



**Figure 1.1**

## GETTING STARTED

- 1** After drilling anchor holes in appropriate base, clean debris from the holes and install drop-in anchors using the proper setting tool (not included). Level and secure the pedestal to the base.

**NOTE:** If using a composite base (e.g., EV Charge Solutions® #EVCS-BASE-A-01), secure as per manufacturer's instructions.

## MOUNTING THE CHARGING STATION(S)

- 1 Install this pedestal with charging station so that all user controls are between 15" and 48" above ground level (as per ADA regulations). **See Figure 1-1.**
- 2 Using the charger installation instructions, drill guide holes at the required locations. Stainless steel self-drilling / self-threading screws are provided to attach the charger mounting bracket to the pedestal post.
- 3 Place silicone sealer at each hole to provide a liquid-tight securement. **DO NOT INSTALL** the charger until the power feed wires are installed to the charger.

## CONNECTING THE WIRING

- 1 Attach the power feed wires using seal-tight flexible conduit and liquid-tight fittings to the charger as per the charger manufacturer's instructions.
- 2 Connect the flexible conduit between the pre-drilled 1" holes in the pedestal post and the entrance on the charging station.
- 3 Attach the conduit to the post using a 90-degree NPT fitting and tighten all conduit points.
- 4 Trim all wires to the proper length to reach the charger(s) leaving enough slack (15" to 20") to allow unrestricted access.
- 5 Using a fold in the wires and a zip-tie(s), secure the wire bundle inside the pedestal so wires are not touching the inside of the pedestal post.

## INSTALLING THE CABLE HOLDER / HOLSTER(S) *(if applicable)*

Using the stainless steel self-drilling / self-tapping screws, mount the cable hanger and/or connector holster below each charger. Place silicone at each screw point to create a liquid-tight seal.

## INSTALLING THE (OPTIONAL) CABLE RETRACTOR(S)

### COMPLETE THIS STEP PRIOR TO INSTALLING THE TOP CAP

This pedestal is designed for easy bolt-on installation of the (*optional*) **EV Charge Solutions® EZ-Pull Dual Retractor** (Part # PC-B72(95)S(D)-R-XX).

**Part # PC-B72(95)S(D)-R-XX:** Secure the base of the retractor to the threaded hole(s) in the base of the pedestal. Secure the retractor to the pedestal.

**NOTE:** Be sure to use the washers to create space so the bolt does not touch (and dent) the retractor post.

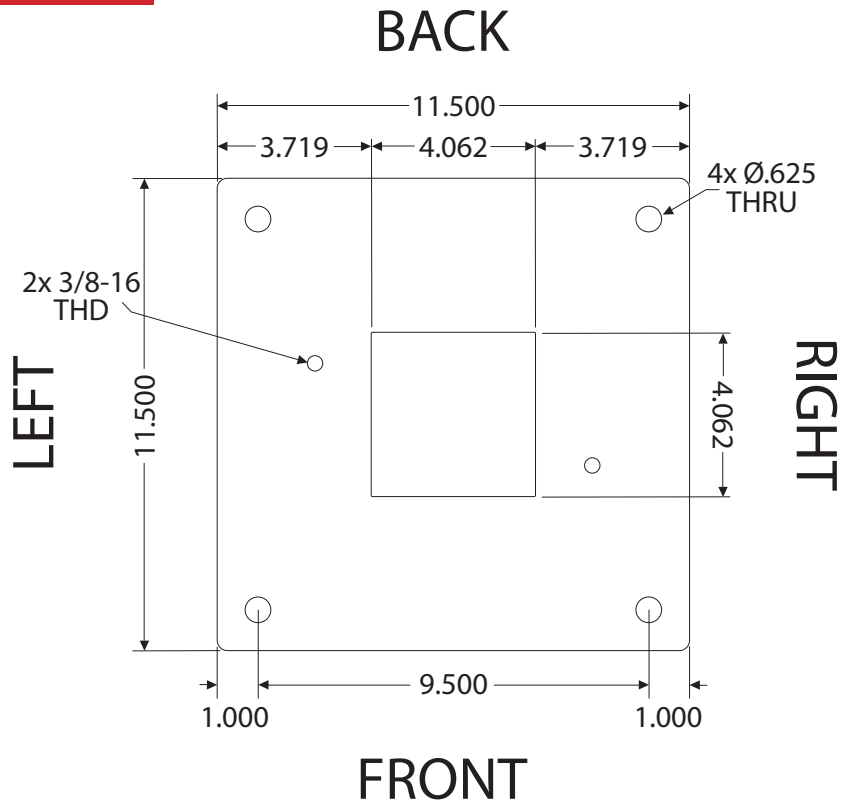
## INSTALLING THE TOP CAP

Once the above steps are complete and all screws, bolts, fittings, wire connectors, etc. are tight, place a generous bead of silicone sealer around the perimeter of the top cap and insert the top cap into the pedestal post. A rubber mallet is recommended to properly seat the top cap. Wipe off any excess sealer.

## POWER THE STATION

Turn on the power feed to the station(s) and test per manufacturer's instructions.

## 4x4x48" BASE PLATE



## 6x6x48" BASE PLATE

